

QT-Brightek Chip LED Series

SMD 1209 Orange LED

Part No.: QBLP653R-O5

**R: Reverse Mount
5: 5mA**

Product: QBLP653R-O5	Date: July 03, 2024	Page 1 of 9
	Version# 1.0	



Table of Contents:

Introduction 3

Electrical / Optical Characteristic (Ta=25 °C) 4

Absolute Maximum Rating 4

Characteristic Curves..... 5

Solder Profile & Footprint 6

Packing 7

Labeling 8

Ordering Information 8

Revision History 9

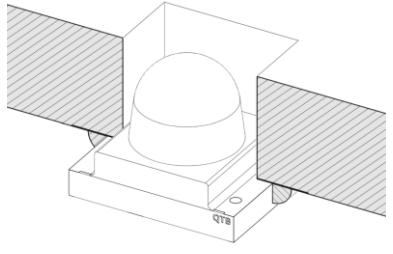
Disclaimer 9

Product: QBLP653R-O5	Date: July 03, 2024	Page 2 of 9
	Version# 1.0	

Introduction

Feature:

- Water clear lens
- Package in tap and reel
- Reverse mount (bottom entry)
- Bright 1209 LED package
- Beam angle: 15 deg typ.
- Pkg height: 2.5mm



Application:

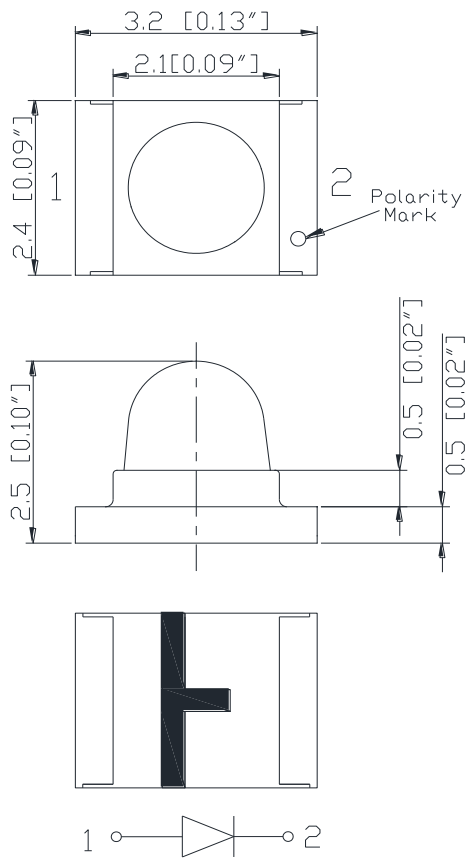
- Status indication
- Back lighting application
- Light pipe
- Signal

Certification & Compliance:

- ISO9001
- RoHS Compliant



Dimension:



Units: mm / tolerance = +/-0.15mm

Electrical / Optical Characteristic (Ta=25 °C)

Product	Color	I _F (mA)	V _F (V)		λ _D (nm)			λ _P (nm)	I _V (mcd)	
			Typ.	Max.	Min.	Typ.	Max.	Typ.	Min.	Typ.
QBLP653R-O5	Orange	5	1.9	2.3	600	605	610	609	400	700

Absolute Maximum Rating

Material	P _d (mW)	I _F (mA)	I _{FP} (mA)*	V _R (V)	T _{OP} (°C)	T _{ST} (°C)	T _{SOL} (°C)**
AllnGaP	69	30	125	5	-40 ~ +80	-40 ~ +85	260

*Duty 1/8 @ 1KHz

**IR Reflow for no more than 10 sec @ 260 °C

Forward Voltage V_F @ I_F=5mA

Bin	Min.	Max.	Unit
□	1.7	2.3	V

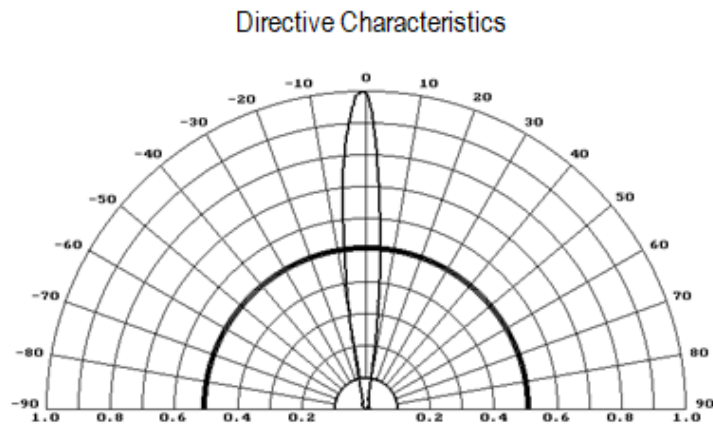
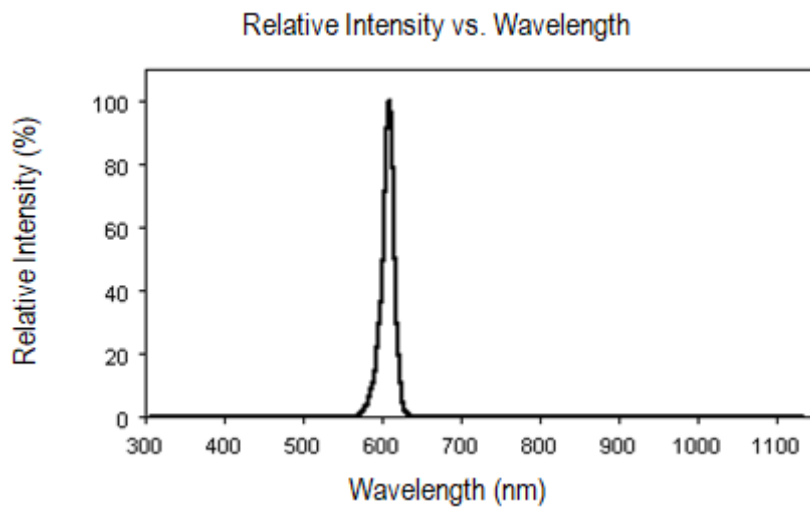
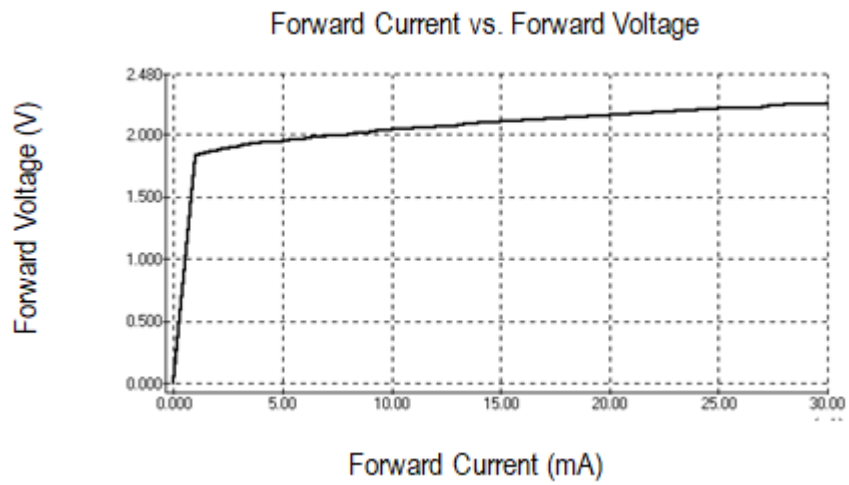
Luminous Intensity I_V @ I_F=5mA

Bin	Min.	Max.	Unit
P	400	500	mcd
Q	500	630	
R	630	800	
S	800	1000	
T	1000	1250	

Dominant Wavelength λ_D @ I_F=5mA

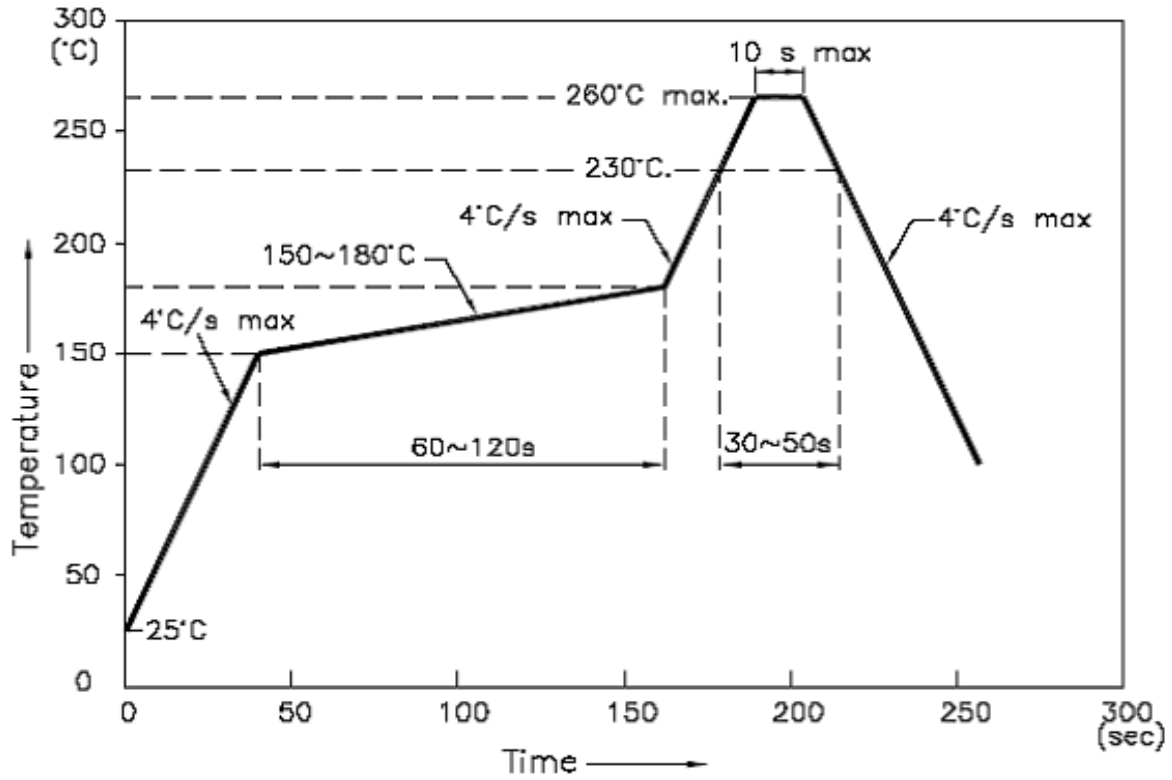
Bin	Min.	Max.	Unit
p	600	605	nm
q	605	610	

Characteristic Curves



Solder Profile & Footprint

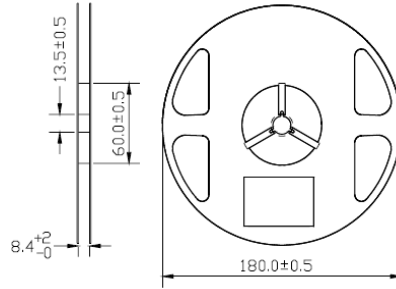
-The recommended reflow soldering profile is as follows (temperatures indicated are as measured on the surface of the LED resin):



Recommended Pad Layout	Mounting Illustration
Unit: mm	

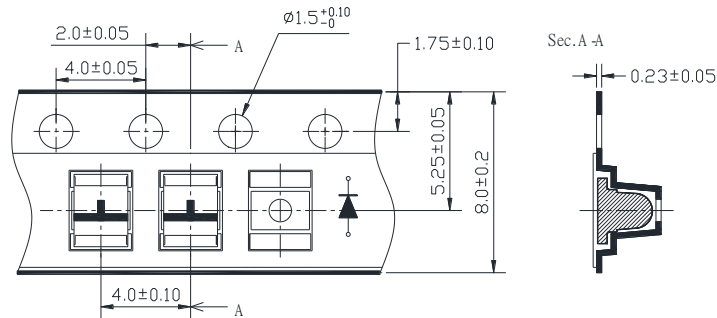
Packing

Reel Dimension:



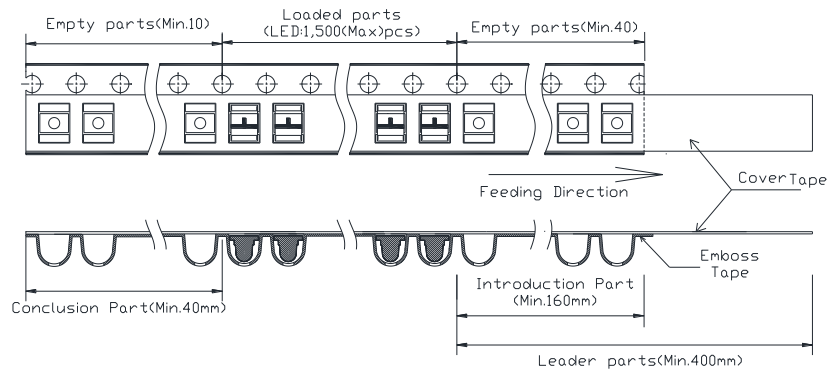
Unit: mm

Tape Dimension:

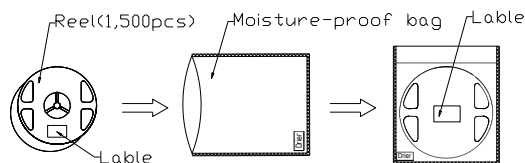


Unit: mm

Arrangement of Tape:



Packaging Specification:





Labeling

 **QT-Brightek** 



Part No: _____

Customer P/N: _____

Item: _____

Q'ty: _____

Vf: _____

Iv: _____

WI: _____

Date: _____

Made in China

Ordering Information

Orderable Part #	Spec Range	Quantity per reel
QBLP653R-O5	Iv=700mcd typ. / Color = 600nm to 610nm @ 5mA	1,500 units



Revision History

Description:	Revision #	Revision Date
New Release of QBLP653R-O5	V1.0	07/03/2024

Disclaimer

QT-BRIGHTTEK reserves the right to make changes without further notice to any products herein to improve reliability, function or design. QT-BRIGHTTEK does not assume any liability arising out of the application or use of any product or circuit described herein; neither does it convey any license under its patent rights, nor the rights of others.

Life Support Policy

QT-BRIGHTTEK's products are not authorized for use as critical components in life support devices or systems without the express written approval of QT-BRIGHTTEK. As used herein:

1. Life support devices or systems are devices or systems which, (a) are intended for surgical implant into the body, or (b) support or sustain life, and (c) whose failure to perform when properly used in accordance with instructions for use provided in the labeling, can be reasonably expected to result in a significant injury of the user.
2. A critical component in any component of a life support device or system whose failure to perform can be reasonably expected to cause the failure of the life support device or system, or to affect its safety or effectiveness.